

Contemporary Series Lavatory Faucet



Features

- Contemporary styling
- Smooth operation with lever type
- TOTO aerated water technology, ECOCAP adds air to the water to achieve full water jet with less amount of water usage



Specifications

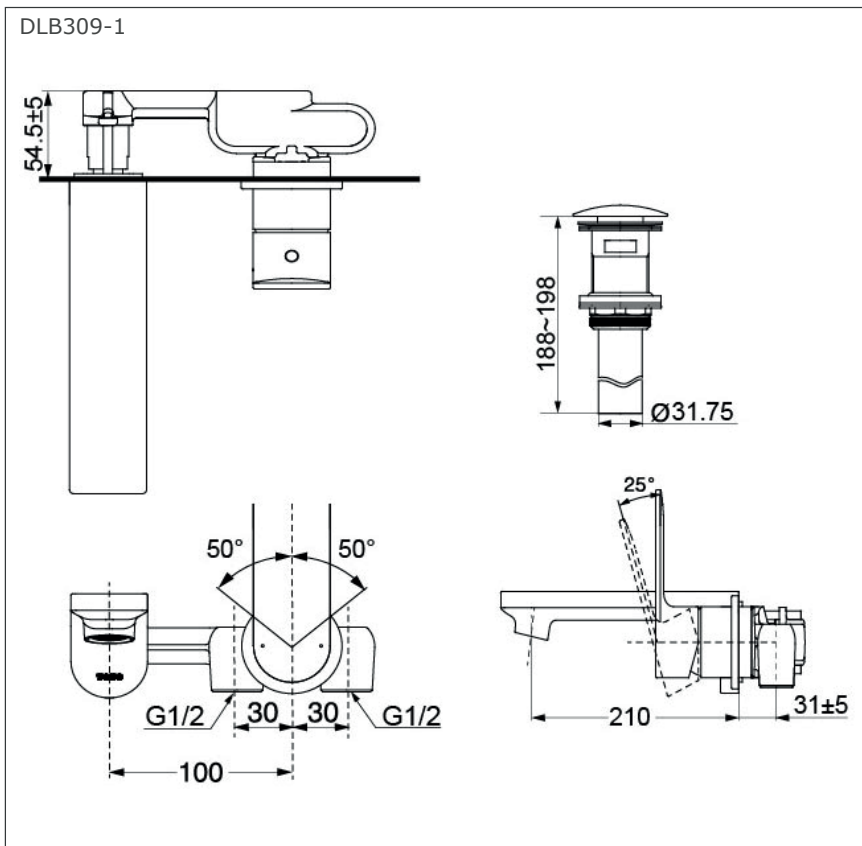
Finish : Chrome

Water Pressure : 0.05MPa~0.75MPa

Material : Brass

Parts Description

- **DLB309-1**
Lavatory Faucet
W/ Pop-up Waste



Please consult a TOTO representative for details

Flow Rate

